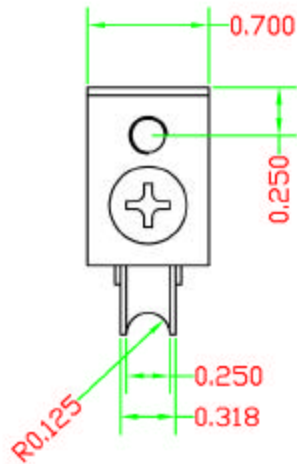
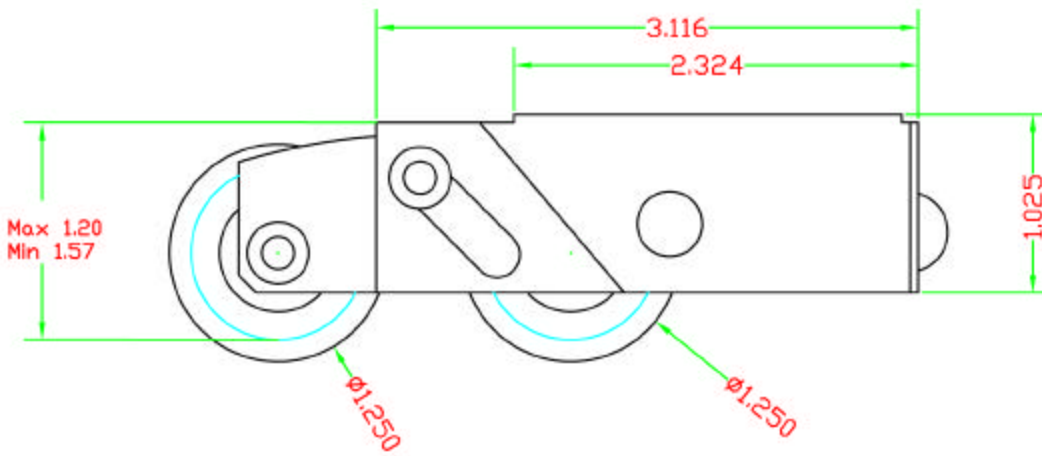


Tolerance:  $\pm 0.02$



					NAME	DATE	TKG#0138
				DRAWN		01 Dec 2004	
				CHECKED			
				APPROVED			
							Roller
							<b>TKG Windows Components</b>
REV	DESCRIPTION	DATE	DRAWN	SCALE			DRAWING NO. T04-12-01