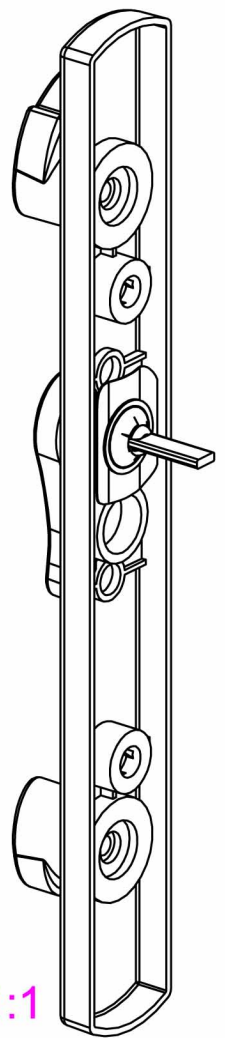
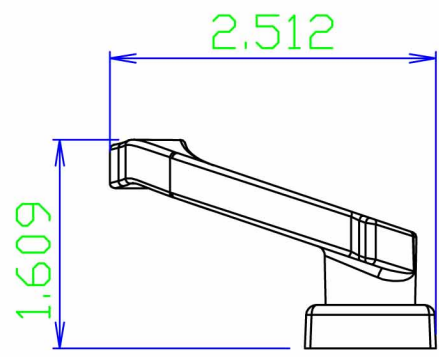
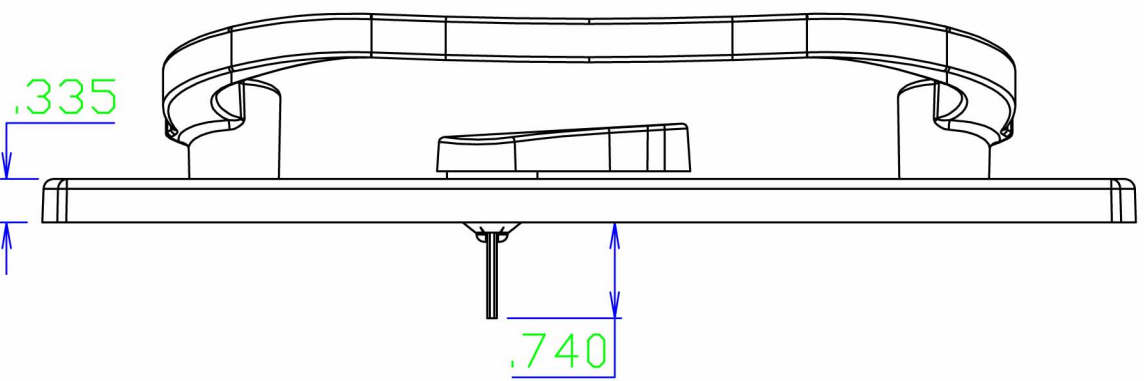


Assembly  
Scale: 1:4

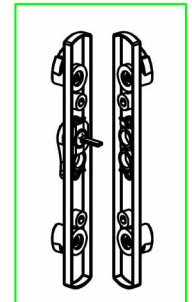
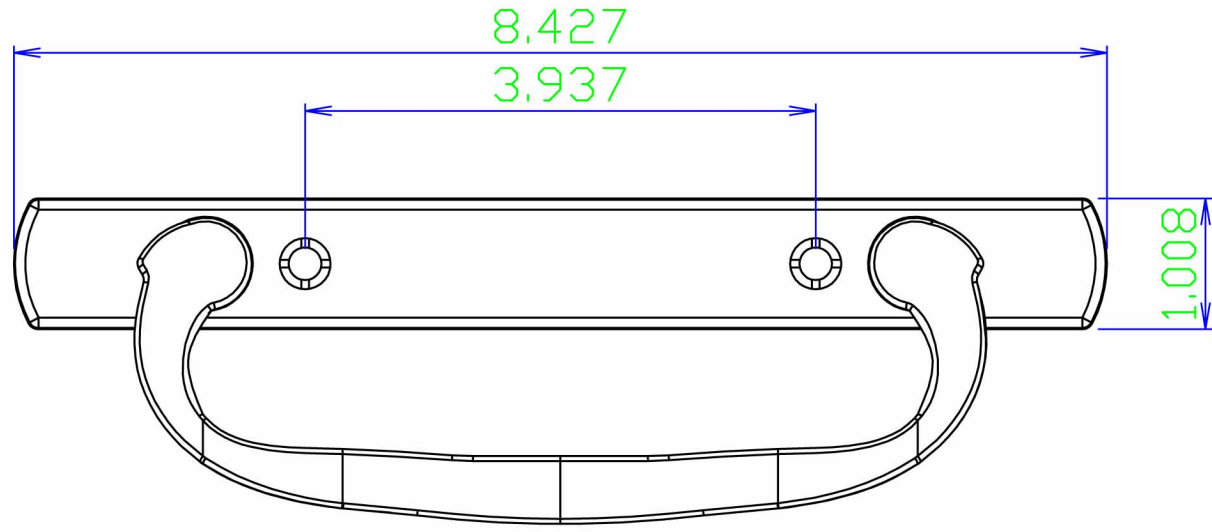


Scale: 1:1



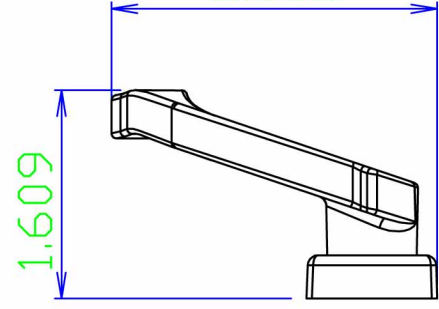
STANDARD TOLERANCES  
(UNLESS OTHERWISE NOTED)  
ALL WALLS =±.005  
.000 TO .499 =±.005  
.500 TO 4.000 =±.010  
OVER 4.000 =±0.015  
ANGULAR DIM =±1/2°

Itemref	Quantity	Material: Zinc Alloy			Article No./Reference	
Designed by JZ	Checked by JG	Approved by - date -	File name -	Date 2006.03.16	Scale 1:1	
TKG COMPONENTS LLC			0135,0136		Handle	
			Internal Handle	Edition 1	Sheet 1/1	

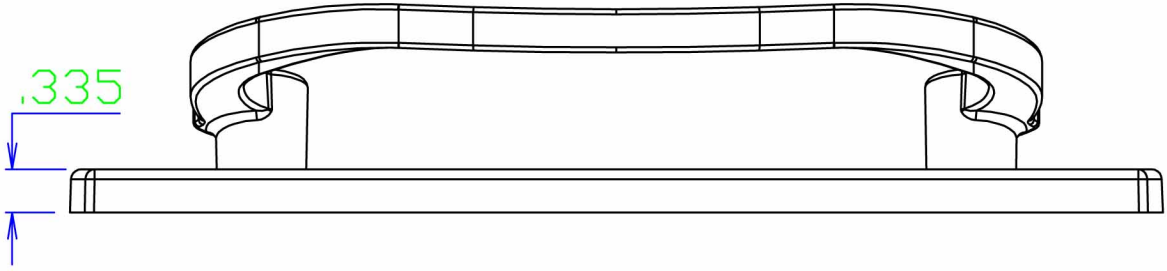
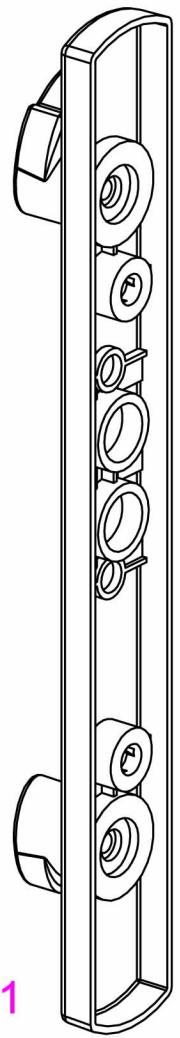


Assembly  
Scale: 1:4

2.512



Scale: 1:1



<p>STANDARD TOLERANCES (UNLESS OTHERWISE NOTED)</p> <p>ALL WALLS    =±.005 .000 TO .499   =±.005 .500 TO 4.000   =±.010 OVER 4.000    =±0.015 ANGULAR DIM   =±1/2°</p>	Itemref	Quantity	Material: Zinc Alloy			Article No./Reference		
	Designed by JZ	Checked by JG	Approved by - date -	File name -	Date 2006.03.16	Scale 1:1		
	TKG COMPONENTS LLC				0135,0136		Handle	
					External Handle		Edition 1	Sheet 1/1