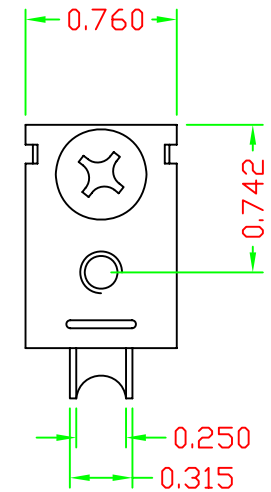
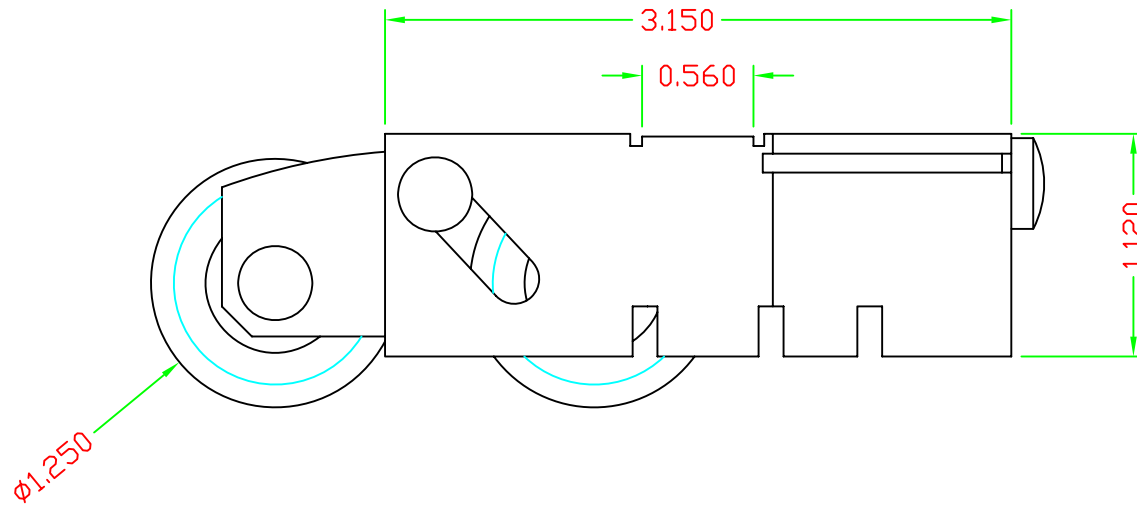


Tolerance:  $\pm 0.020$



					NAME	DATE	TKG Part# 0120
				DRAWN		09 Dec 2005	
				CHECKED			
				APPROVED			<b>Roller Housing</b>
				Material			
				C1008/C1010			
REV	DESCRIPTION	DATE	DRAWN	SCALE			DRAWING NO. 2005160

**TKG Windows Components, LLC**