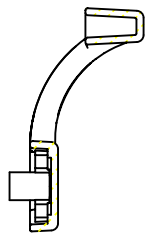


STANDARD TOLERANCES
(UNLESS OTHERWISE NOTED)

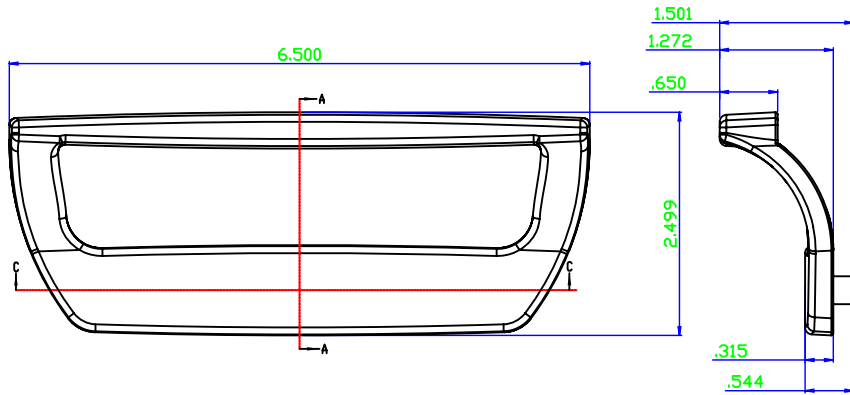
ALL WALLS	±.005
.000 TO .499	±.005
.500 TO 4.000	±.010
OVER 4.000	±0.015
ANGULAR DIM	±1/2°

Itemref	Quantity	Material: ZINC ALLOY			Article No./Reference	
Designed by JZ	Checked by JG	Approved by - date 2005.06.01	File name 0041	Date 2005.06.01	Scale 1:1	
TKG WINDOW COMPONENTS LLC				#41 PATIO DOOR HANDLE SET		
				INTERIOR HANDLE / PLATE	Edition 1	Sheet 1/1

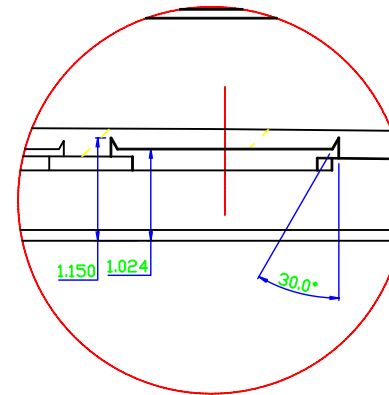
RevNo	Revision note	Date	Signature	Checked



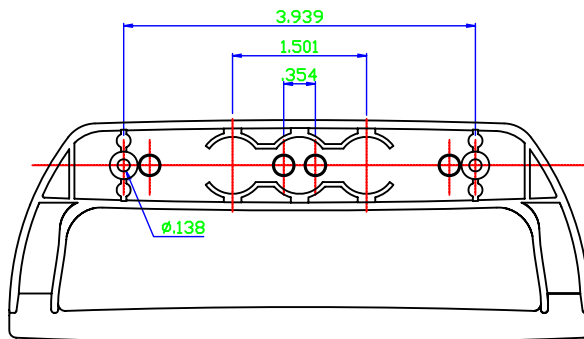
SECTION A-A



SECTION C-C SCALE B

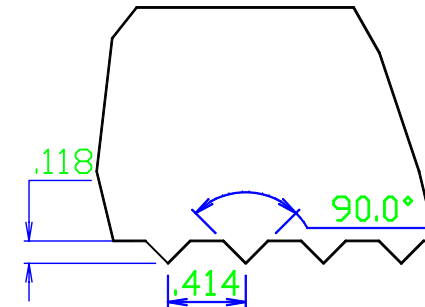
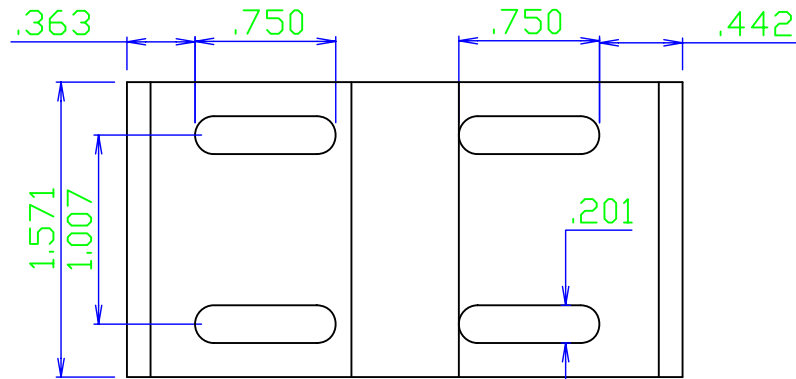


SCALE B (4:1)

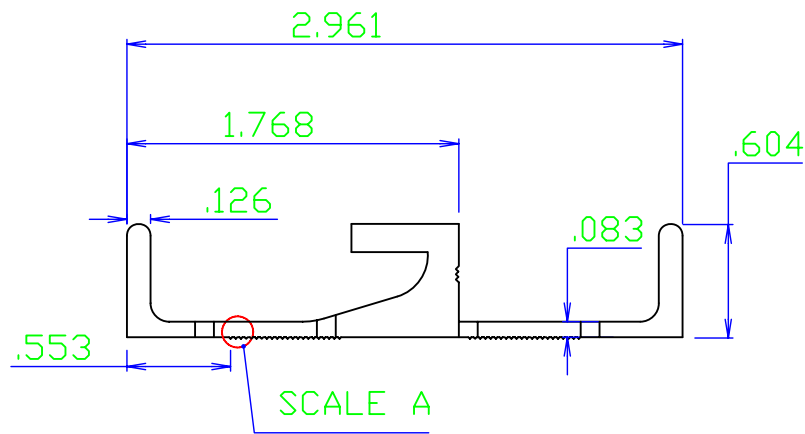


STANDARD TOLERANCES
(UNLESS OTHERWISE NOTED)
ALL WALLS $\pm .005$
.000 TO .499 $\pm .005$
.500 TO 4.000 $\pm .010$
OVER 4.000 ± 0.015
ANGULAR DIM $\pm 1/2^\circ$

Itemref	Quantity	Material: ZINC ALLOY	Article No./Reference		
Designed by JZ	Checked by JG	Approved by - date 2005.06.01	File name 0041	Date 2005.06.01	Scale 1:1
TKG WINDOW COMPONENTS LLC			#41 PATIO DOOR HANDLE SET		
			EXTERIOR HANDLE	Edition 1	Sheet 1/1



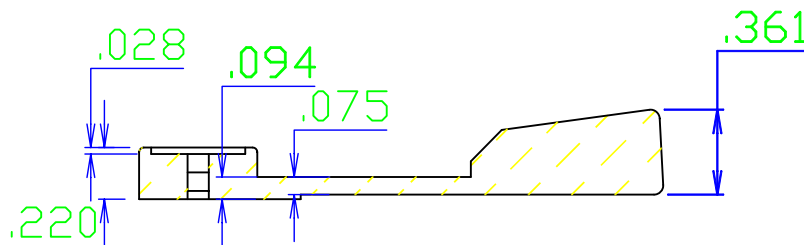
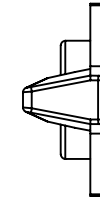
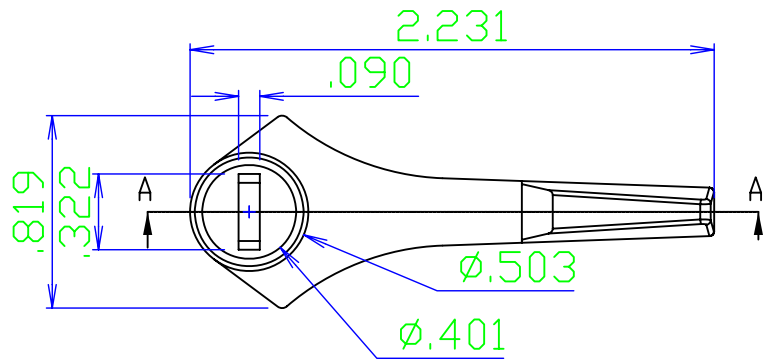
SCALE A (15:1)



STANDARD TOLERANCES
(UNLESS OTHERWISE NOTED)
ALL WALLS =±.005
.000 TO .499 =±.005
.500 TO 4.000 =±.010
OVER 4.000 =±0.015
ANGULAR DIM =±1/2°

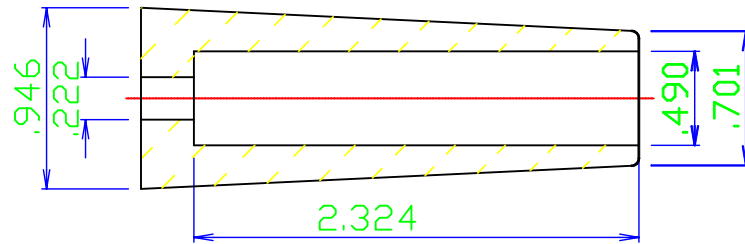
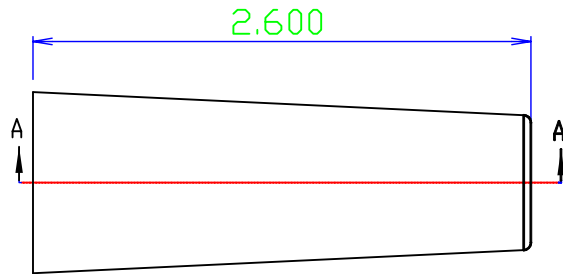
Itemref	Quantity	Material: AL. 6063			Article No./Reference	
Designed by JZ	Checked by JG	Approved by - date 2005.06.01	File name 0041	Date 2005.06.01	Scale 1:1	
TKG WINDOW COMPONENTS LLC			#41 PATIO DOOR HANDLE SET			
FRAME				Edition 1	Sheet 1/1	

RevNo	Revision note	Date	Signature	Checked
-------	---------------	------	-----------	---------



STANDARD TOLERANCES (UNLESS OTHERWISE NOTED) ALL WALLS =±.005 .000 TO .499 =±.005 .500 TO 4.000 =±.010 OVER 4.000 =±0.015 ANGULAR DIM =±1/2°	Itemref	Quantity	Material: ZINC ALLOY		Article No./Reference	
	Designed by	Checked by	Approved by - date	File name	Date	Scale
	JZ	JG	2005.06.01	0041	2005.06.01	1:1
	TKG WINDOW COMPONENTS LLC				#41 PATIO DOOR HANDLE SET	
				HANDLE LEVER	Edition	Sheet
					1	1/1

RevNo	Revision note	Date	Signature	Checked
-------	---------------	------	-----------	---------



SECTION A-A

STANDARD TOLERANCES
(UNLESS OTHERWISE NOTED)
ALL WALLS =±.005
.000 TO .499 =±.005
.500 TO 4.000 =±.010
OVER 4.000 =±0.015
ANGULAR DIM =±1/2°

Itemref	Quantity	Material: PVC	Article No./Reference	
Designed by JZ	Checked by JG	Approved by - date 2005.06.01	File name 0041	Date 2005.06.01
TKG WINDOW COMPONENTS LLC			#41 PATIO DOOR HANDLE SET	
			BUSHING	Edition 1
				Sheet 1/1