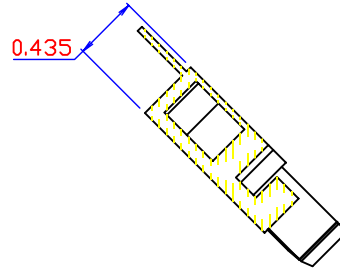
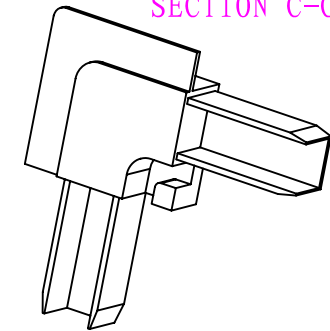
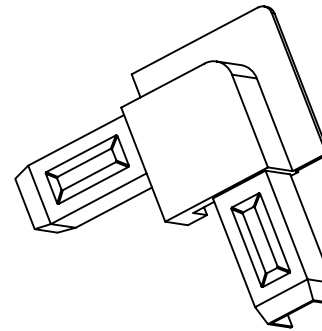


SECTION B-B

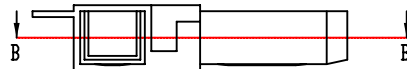


SECTION A-A



SECTION C-C

0030



STANDARD TOLERANCES  
(UNLESS OTHERWISE NOTED)  
ALL WALLS =±.005  
.000 TO .499 =±.005  
.500 TO 4.000 =±.010  
OVER 4.000 =±0.015  
ANGULAR DIM =±1/2°

Itemref	Quantity	Material: ABS		Article No./Reference	
Designed by JZ	Checked by JG	Approved by - date -	File name -	Date 2005.02.02	Scale 1:1
TKG COMPONENTS LLC			SCREEN CORNER LEFT		
			#0030	Edition 2	Sheet 1/1