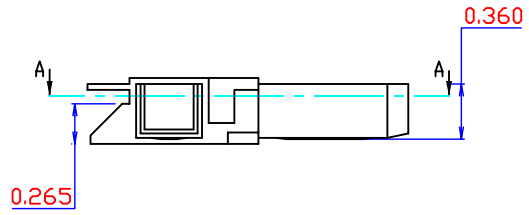
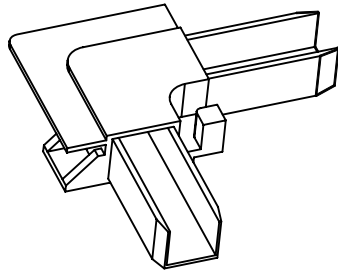
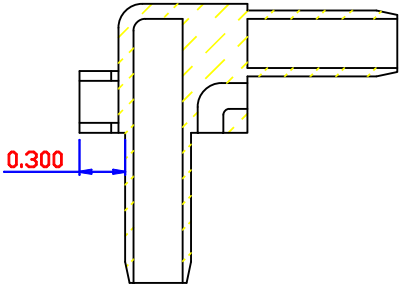
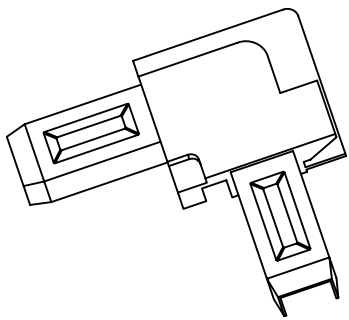
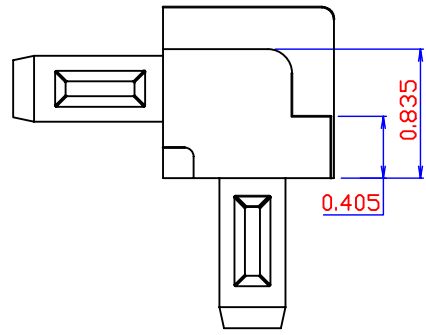
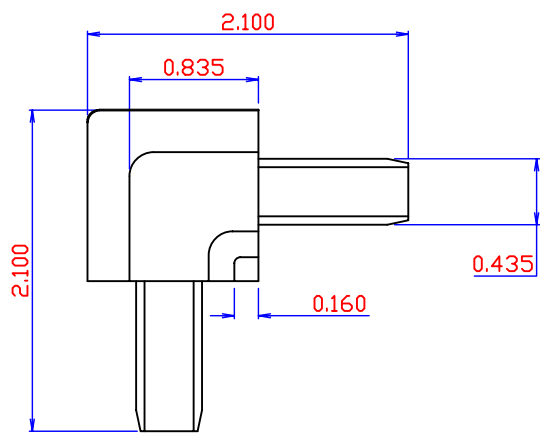
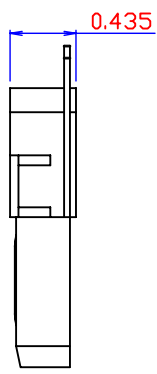


RevNo	Revision note	Date	Signature	Checked
-------	---------------	------	-----------	---------



0028

STANDARD TOLERANCES
(UNLESS OTHERWISE NOTED)
ALL WALLS =±.005
.000 TO .499 =±.005
.500 TO 4.000 =±.010
OVER 4.000 =±0.015
ANGULAR DIM =±1/2°

Itemref	Quantity	Material: ABS	Article No./Reference		
Designed by JZ	Checked by JG	Approved by - date -	File name -	Date 2004.01.30	Scale 1:1
TKG COMPONENTS LLC			SCREEN CORNER OVERLAP LEFT		
			#0028	Edition 1	Sheet 1/1