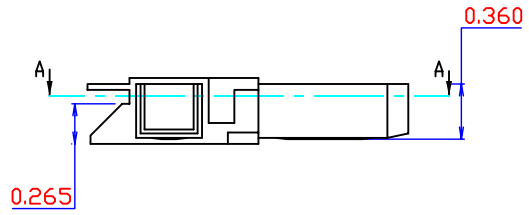
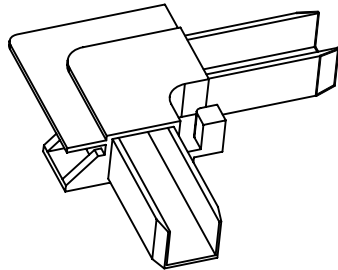
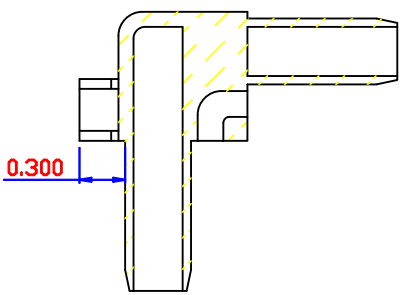
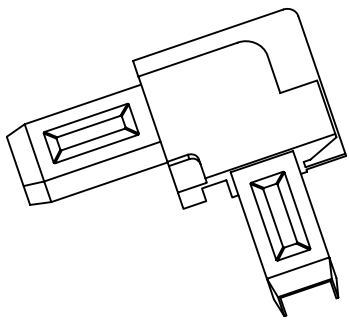
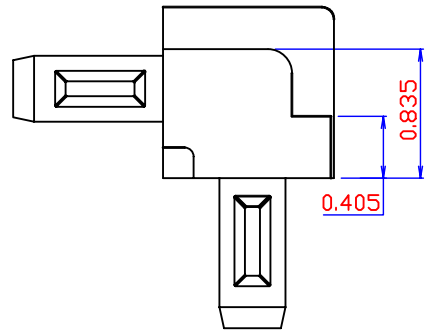
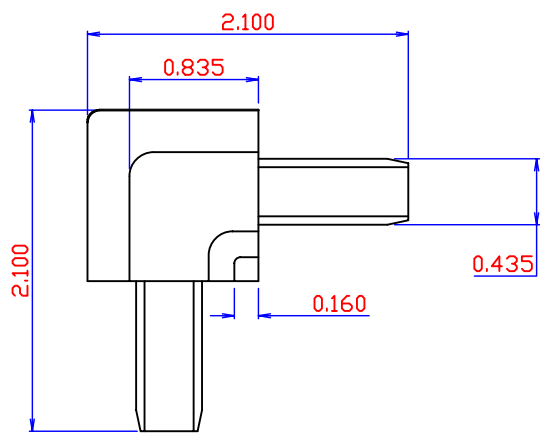
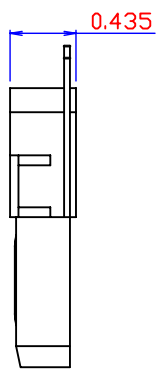


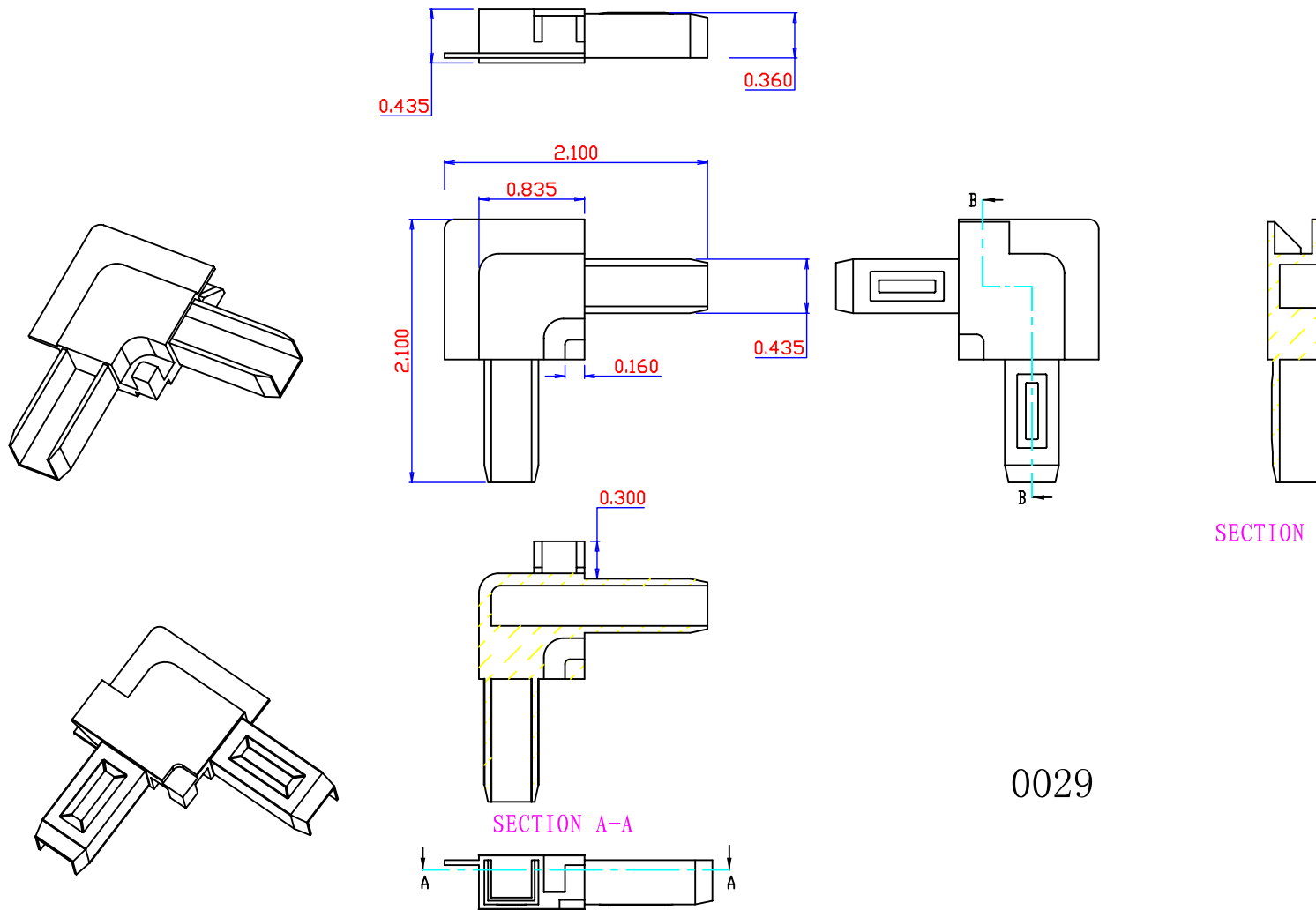
RevNo	Revision note	Date	Signature	Checked
-------	---------------	------	-----------	---------



0028

STANDARD TOLERANCES  
(UNLESS OTHERWISE NOTED)  
ALL WALLS =±.005  
.000 TO .499 =±.005  
.500 TO 4.000 =±.010  
OVER 4.000 =±0.015  
ANGULAR DIM =±1/2°

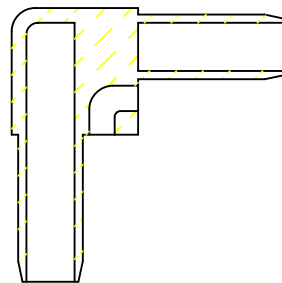
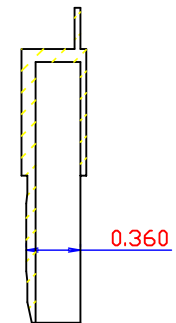
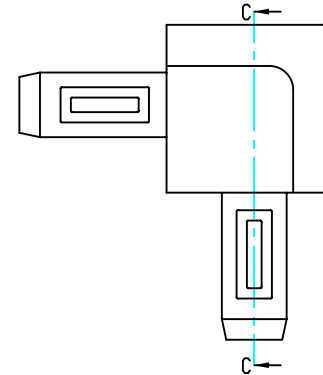
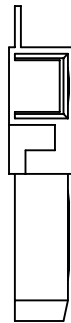
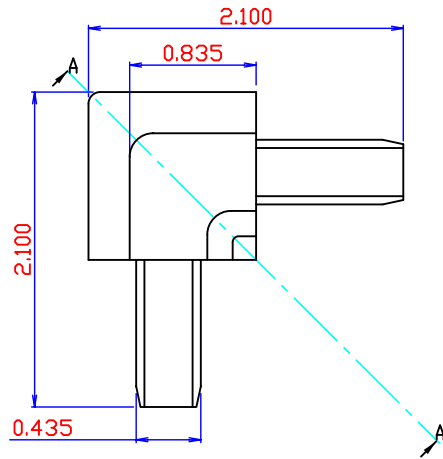
Itemref	Quantity	Material: ABS	Article No./Reference		
Designed by JZ	Checked by JG	Approved by - date -	File name -	Date 2004.01.30	Scale 1:1
TKG COMPONENTS LLC			SCREEN CORNER OVERLAP LEFT		
			#0028	Edition 1	Sheet 1/1



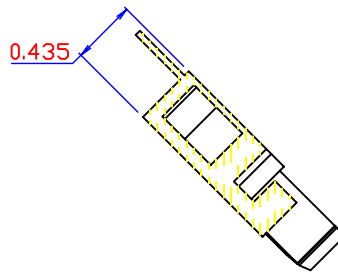
0029

STANDARD TOLERANCES  
(UNLESS OTHERWISE NOTED)  
ALL WALLS =±.005  
.000 TO .499 =±.005  
.500 TO 4.000 =±.010  
OVER 4.000 =±0.015  
ANGULAR DIM =±1/2°

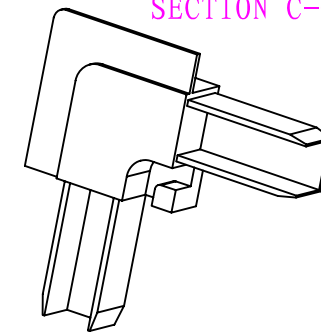
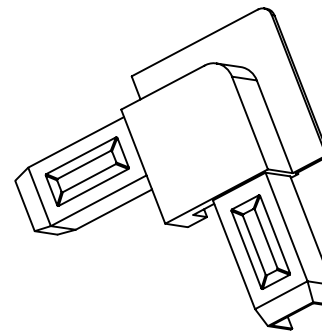
Itemref	Quantity	Material: ABS			Article No./Reference		
Designed by JZ	Checked by JG	Approved by - date -	File name -	Date 2004.01.30	Scale 1:1		
TKG COMPONENTS LLC				SCREEN CORNER OVERLAP RIGHT			
				#0029	Edition 1	Sheet 1/1	



SECTION B-B

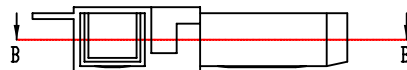


SECTION A-A



SECTION C-C

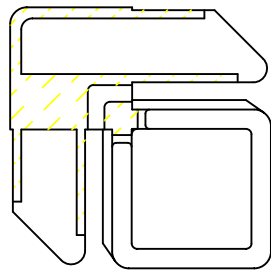
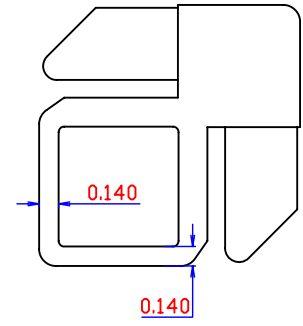
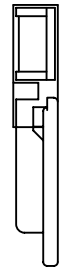
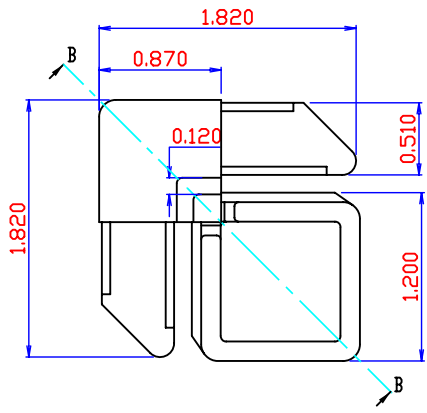
0030



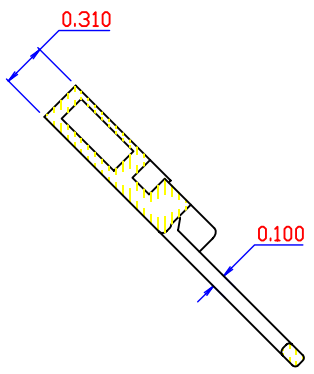
STANDARD TOLERANCES  
(UNLESS OTHERWISE NOTED)  
ALL WALLS =±.005  
.000 TO .499 =±.005  
.500 TO 4.000 =±.010  
OVER 4.000 =±0.015  
ANGULAR DIM =±1/2°

Itemref	Quantity	Material: ABS			Article No./Reference	
Designed by JZ	Checked by JG	Approved by - date -	File name -	Date 2005.02.02	Scale 1:1	
TKG COMPONENTS LLC			SCREEN CORNER LEFT			
			#0030	Edition 2	Sheet 1/1	

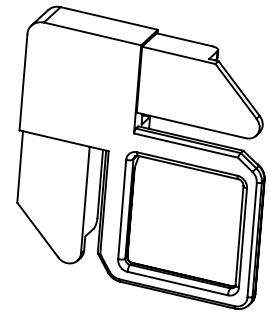
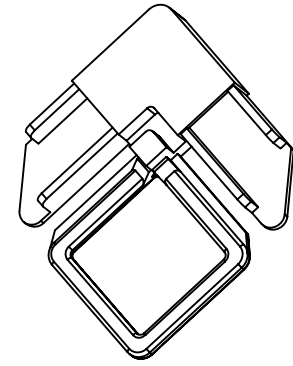
RevNo	Revision note	Date	Signature	Checked



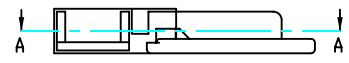
SECTION A-A



SECTION B-B

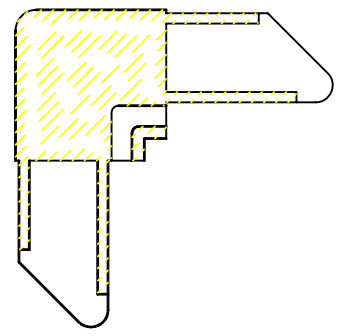
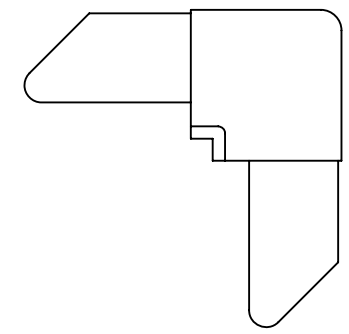
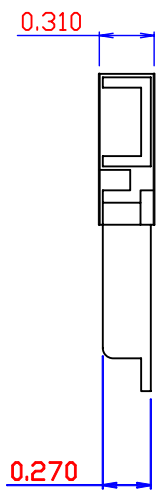
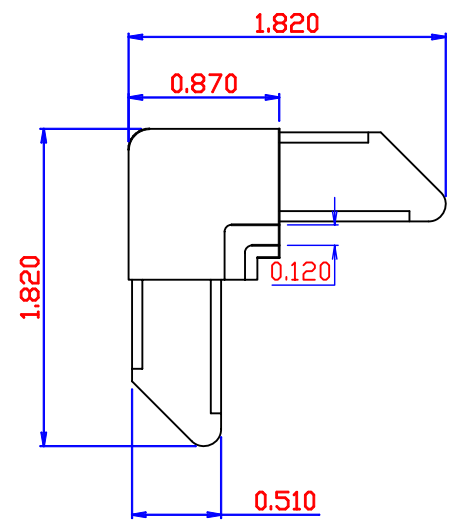


0031

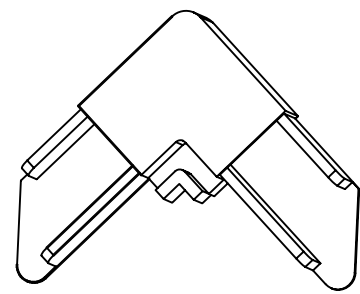


<p>STANDARD TOLERANCES (UNLESS OTHERWISE NOTED)</p> <p>ALL WALLS    =±.005</p> <p>.000 TO .499   =±.005</p> <p>.500 TO 4.000 =±.010</p> <p>OVER 4.000   =±0.015</p> <p>ANGULAR DIM   =±1/2°</p>	Itemref	Quantity	Material: ABS		Article No./Reference		
	Designed by JZ	Checked by JG	Approved by - date -	File name -	Date 2004.06.30	Scale 1:1	
	TKG COMPONENTS LLC				REGULAR SCREEN CORNER		
					#0031	Edition 1	Sheet 1/1

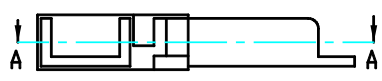
RevNo	Revision note	Date	Signature	Checked



SECTION A-A



0032



<b>STANDARD TOLERANCES (UNLESS OTHERWISE NOTED)</b> ALL WALLS    =±.005 .000 TO .499   =±.005 .500 TO 4.000 =±.010 OVER 4.000   =±0.015 ANGULAR DIM   =±1/2°	Itemref	Quantity	Material: ABS		Article No./Reference		
	Designed by JZ	Checked by JG	Approved by - date -	File name -	Date 2004.06.30	Scale 1:1	
	TKG COMPONENTS LLC				REGULAR SCREEN CORNER		
					#0032	Edition 1	Sheet 1/1