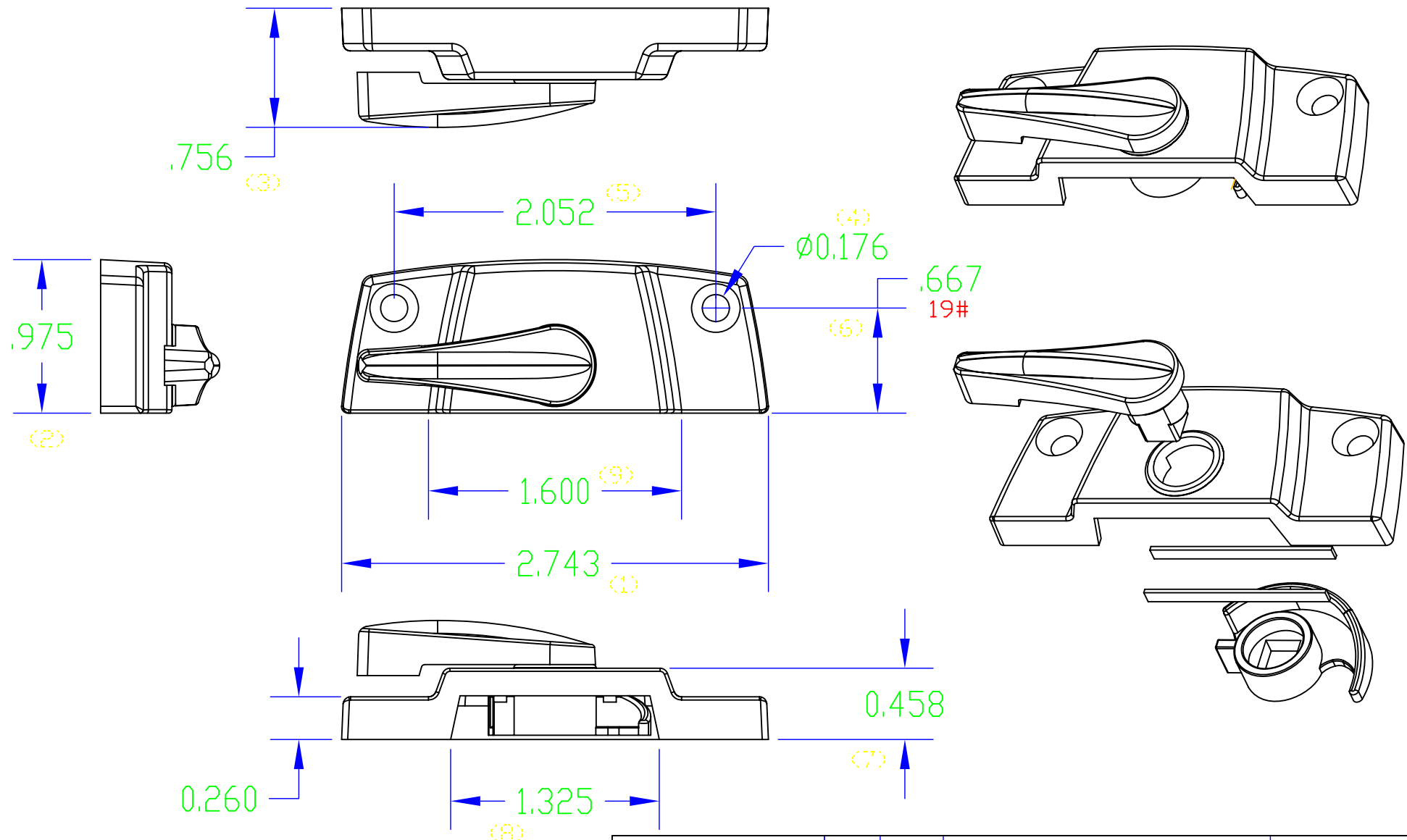


A
B
C
D
E
F

A
B
C
D
E
F



#19 SASH LOCK-HOLES FARTHEST FROM CAM

STANDARD TOLERANCES (UNLESS OTHERWISE NOTED)		Material: ZINC ALLOY		Article No./Reference	
ALL WALLS	=±.005	Designed by	Checked by	Approved by - date	File name
.000 TO .499	=±.005	JZ	JG	04/07/01	#19 HOUSING
.500 TO 4.000	=±.010	TKG COMPONENTS LLC		SASH LOCK-HOLES FARTHEST FROM CAM	
OVER 4.000	=±0.015			0019	Edition
ANGULAR DIM	=±1/2°			-	A3