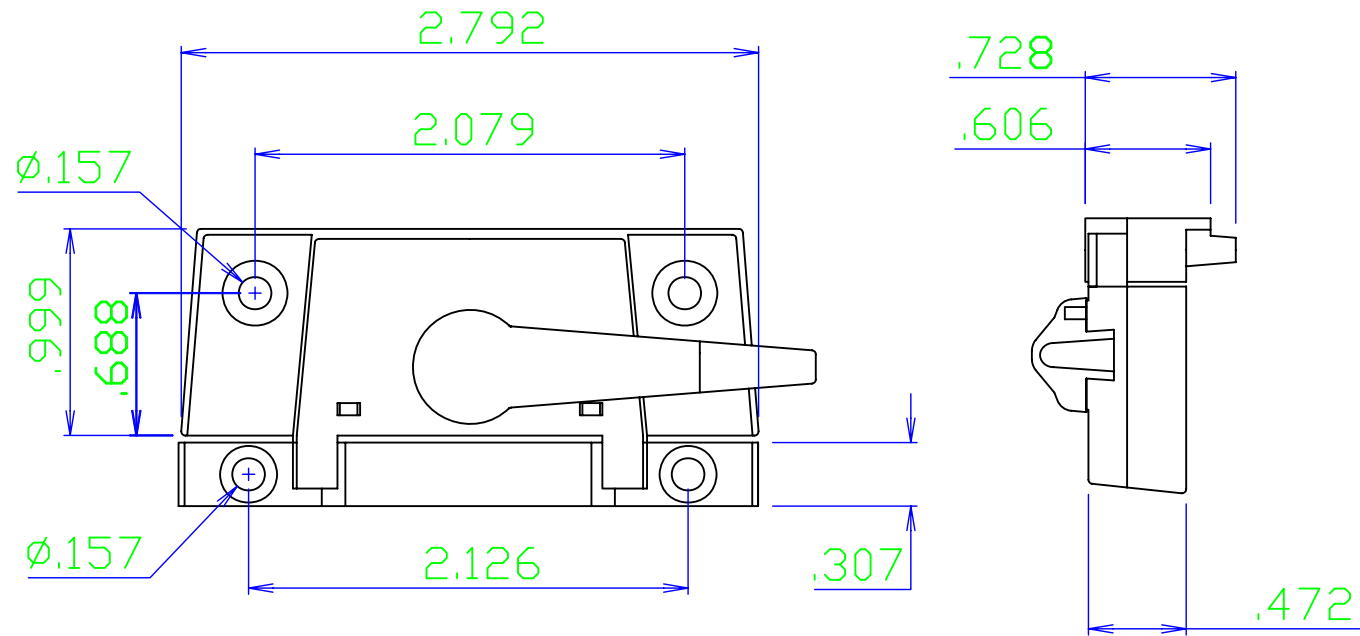


RevNo	Revision note	Date	Signature	Checked
-------	---------------	------	-----------	---------



STANDARD TOLERANCES  
(UNLESS OTHERWISE NOTED)  
 ALL WALLS =±.005  
 .000 TO .499 =±.005  
 .500 TO 4.000 =±.010  
 OVER 4.000 =±0.015  
 ANGULAR DIM =±1/2°

Itemref	Quantity	Material: Zinc Alloy			Article No./Reference	
Designed by JZ	Checked by JG	Approved by - date -	File name -	Date 2006.5.30	Scale 1:1	
TKG COMPONENTS LLC			Sash Lock			
			0012	Edition 1	Sheet 1/1	